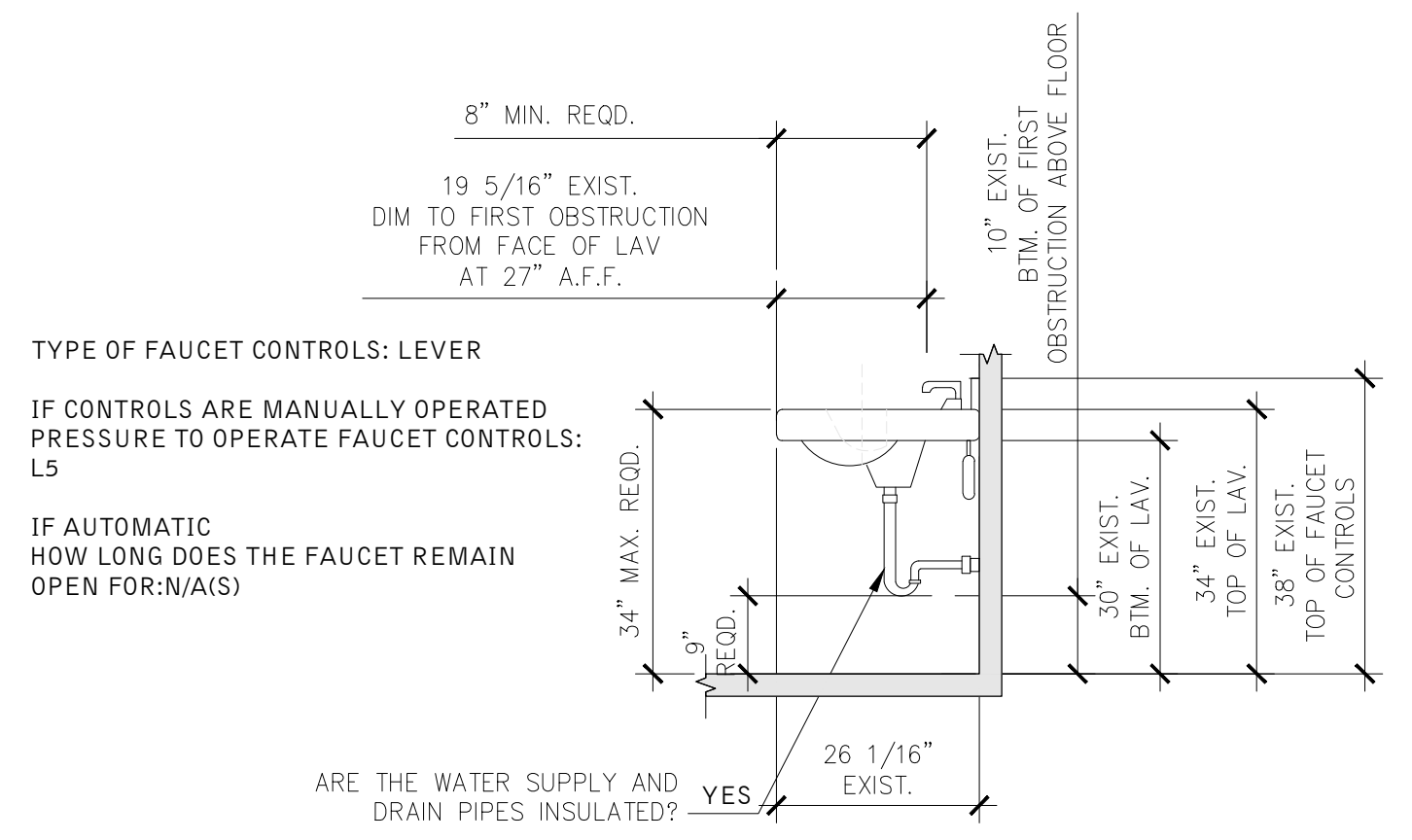


TYPE OF FAUCET CONTROLS:
(ANY CONTROL THAT DOES NOT REQUIRE TWISTING OR PINCHING)
IF CONTROLS ARE MANUALLY OPERATED
PRESSURE TO OPERATE FAUCET CONTROLS: ___ LBS (5lbs max)

**MEN'S RESTROOM SUITE-EO
MEN'S RESTROOM URINAL**

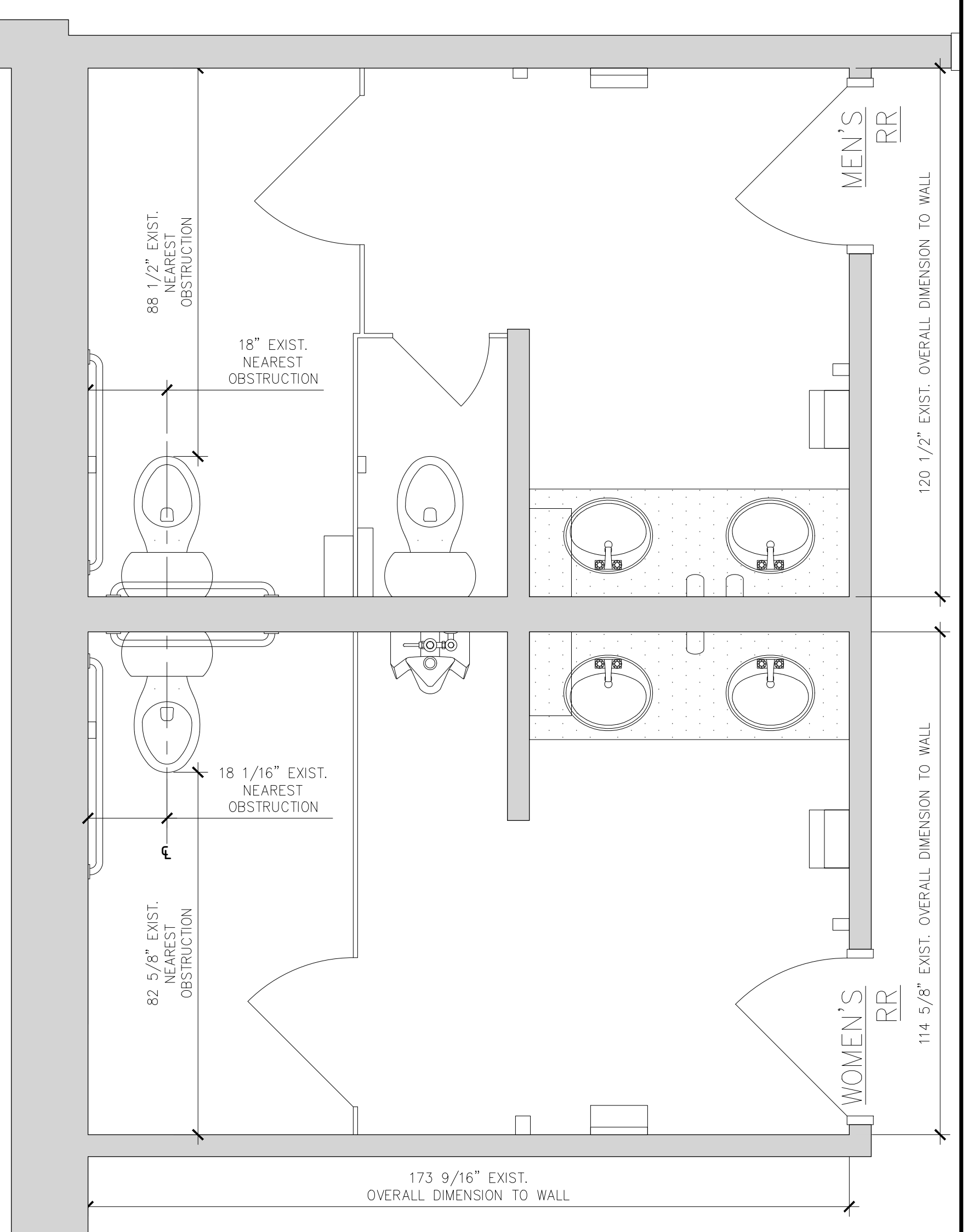
SCALE: 1/2"=1'-0" IACDR-1_JCC-01 **7**



TYPE OF FAUCET CONTROLS: LEVER
IF CONTROLS ARE MANUALLY OPERATED
PRESSURE TO OPERATE FAUCET CONTROLS:
L5
IF AUTOMATIC
HOW LONG DOES THE FAUCET REMAIN
OPEN FOR: N/A(S)

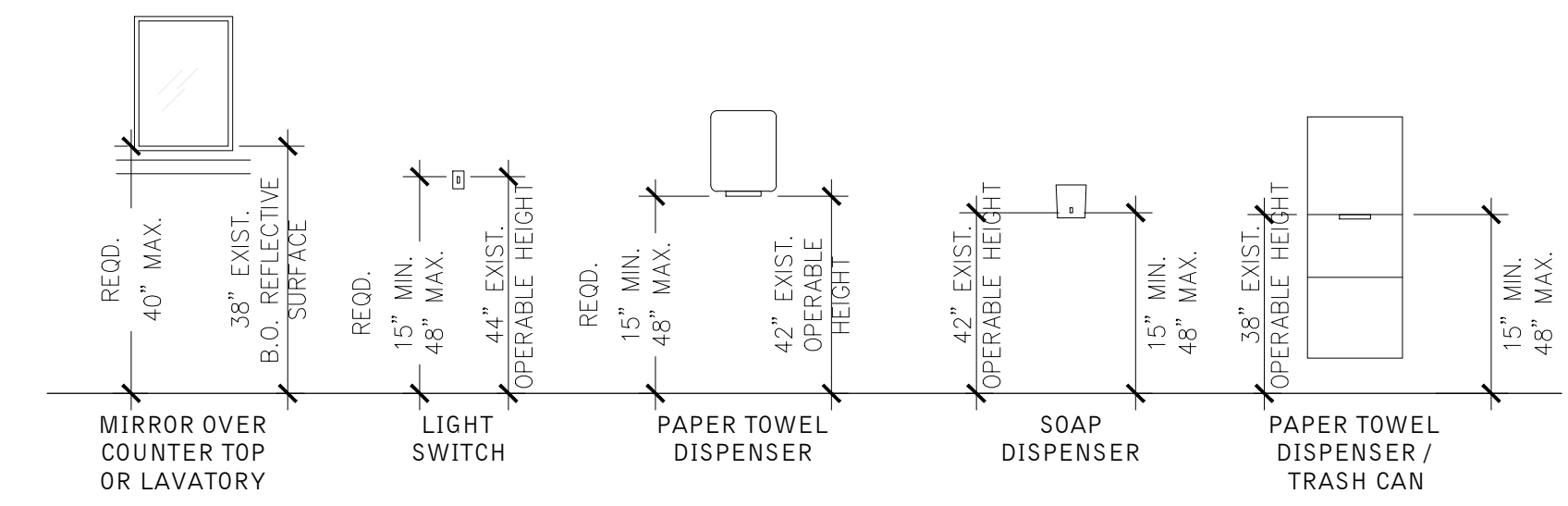
**WOMEN'S, MEN'S RESTROOM SUITE-EO
LAVATORY SECTION**

SCALE: 1/2"=1'-0" IACDR-1_JCC-01 **3**



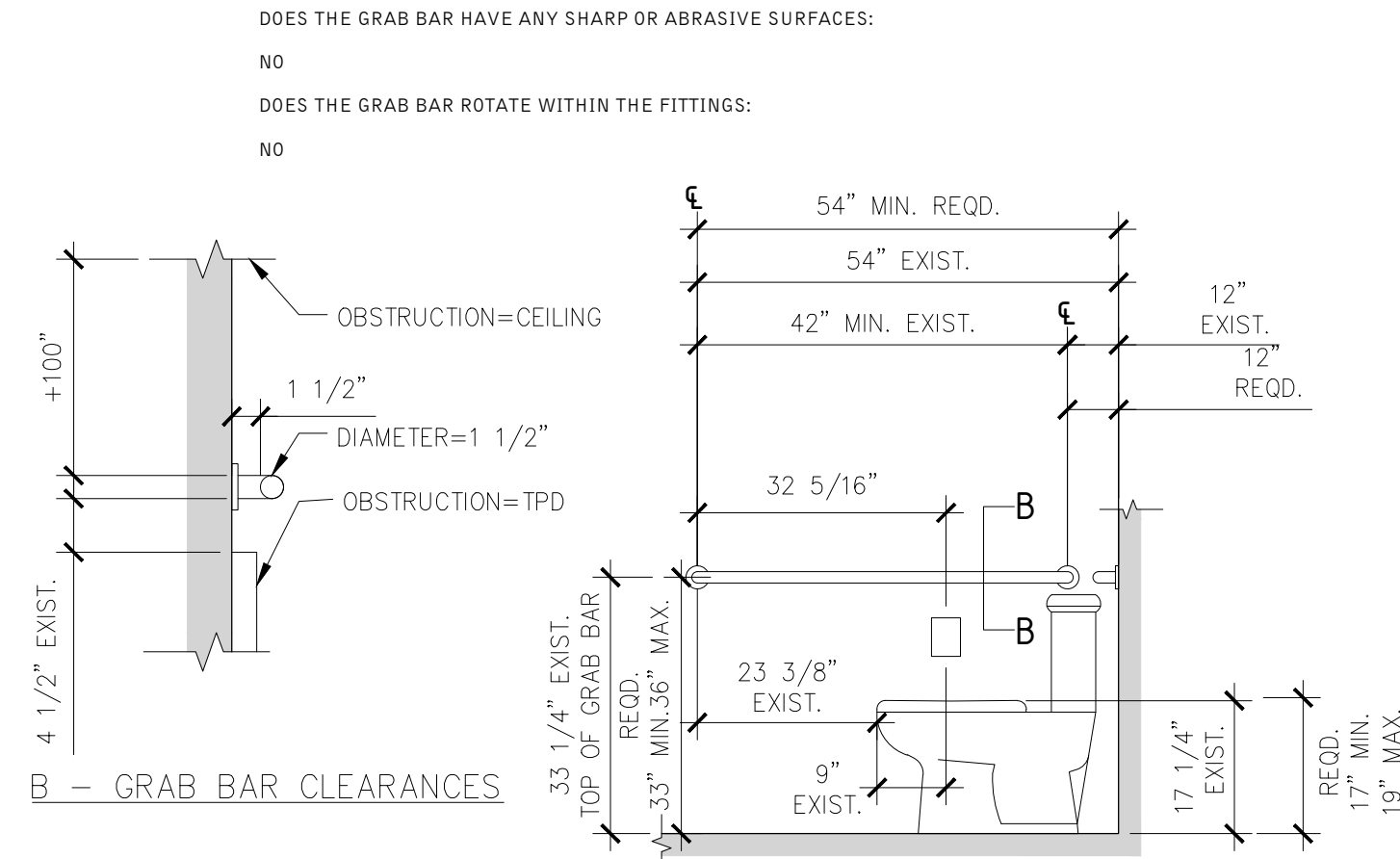
**WOMEN'S, MEN'S RESTROOM SUITE-EO
WATER CLOSET PLAN VIEW-RIGHT SIDE**

SCALE: 1/2"=1'-0" IACDR-1_JCC-01 **1**



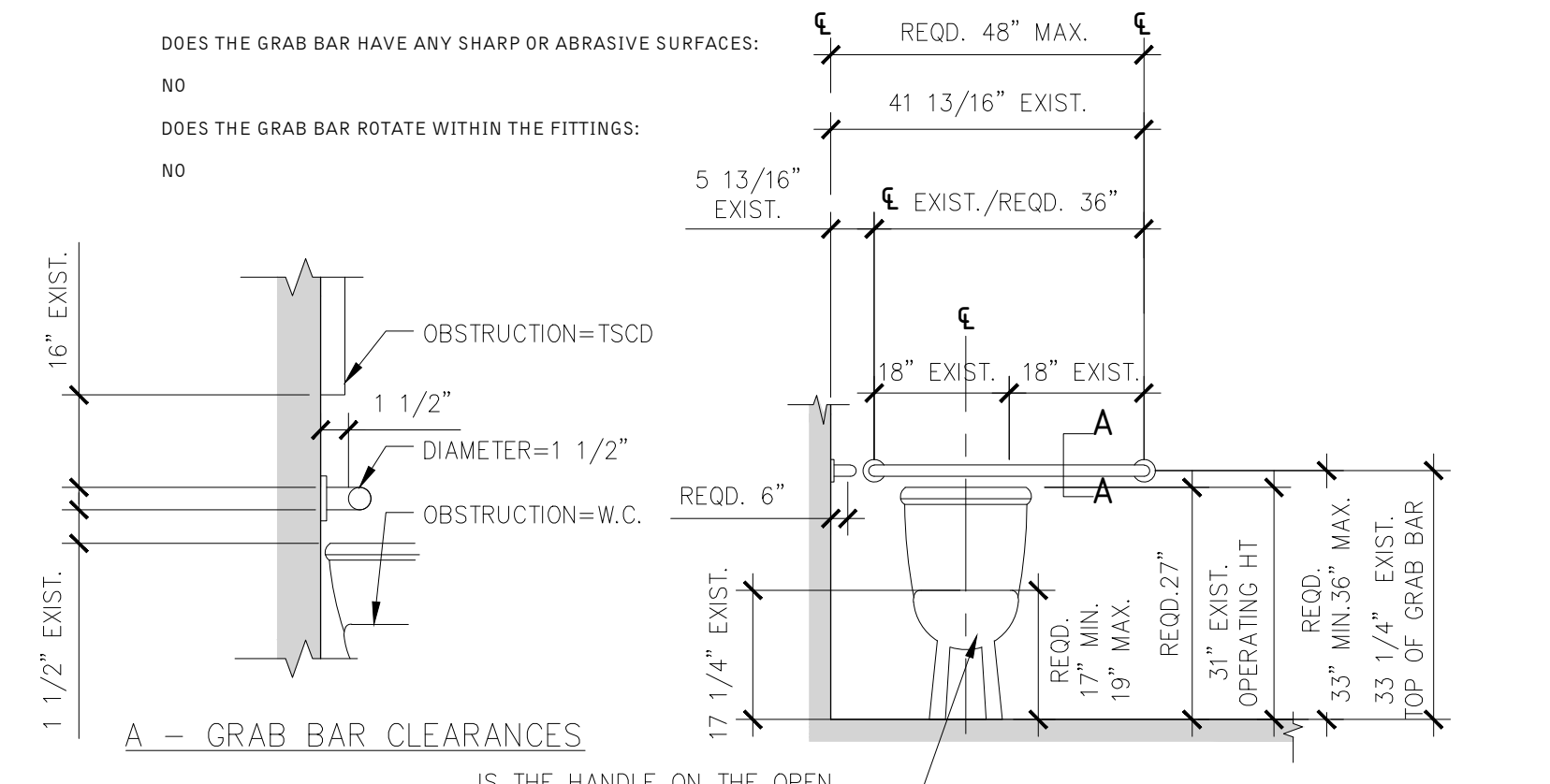
**WOMEN'S, MEN'S RESTROOM SUITE-EO
RESTROOM ACCESSORY ELEVATIONS**

SCALE: 1/2"=1'-0" IACDR-1_JCC-01 **4**



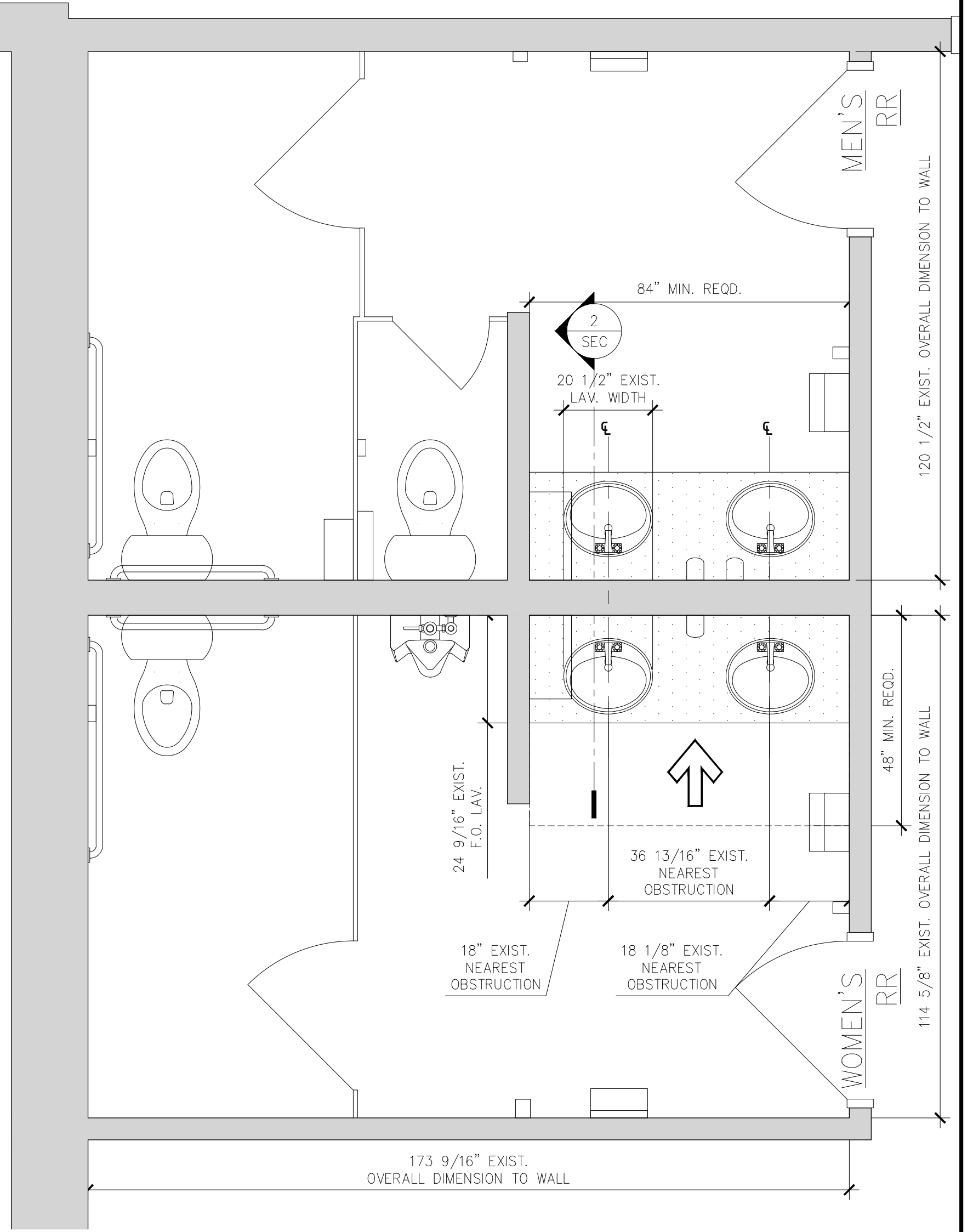
**WOMEN'S, MEN'S RESTROOM SUITE-EO
WATER CLOSET SIDE WALL ELEVATION**

SCALE: 1/2"=1'-0" IACDR-1_JCC-01 **5**



**WOMEN'S, MEN'S RESTROOM SUITE-EO
WATER CLOSET REAR WALL ELEVATION**

SCALE: 1/2"=1'-0" IACDR-1_JCC-01 **6**



**WOMEN'S, MEN'S RESTROOM SUITE-EO
LAVATORY PLAN VIEW - RIGHT SIDE**

SCALE: 1/2"=1'-0" IACDR-1_JCC-01 **2**

architecture
planning
interiors
graphics

WARE MALCOLM

10 eddleman
irvine california 92618
P:949.666.5128 / F:949.666.1881

irvine
los angeles
northham california
sacramento
san diego
denver
chicago
new jersey

DATE	REMARKS

DATE	REMARKS

DATE	REMARKS

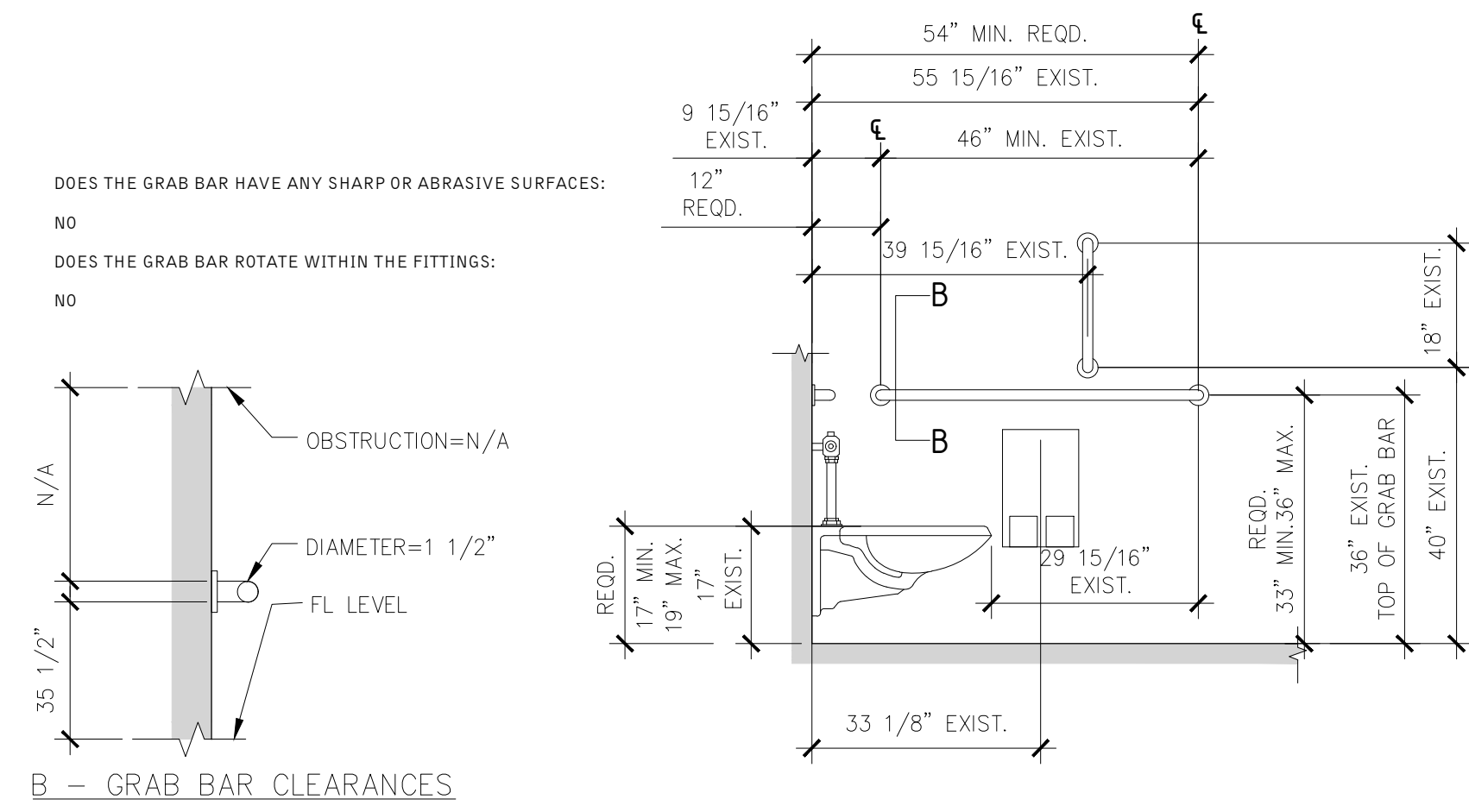
DATE	REMARKS

DATE	REMARKS

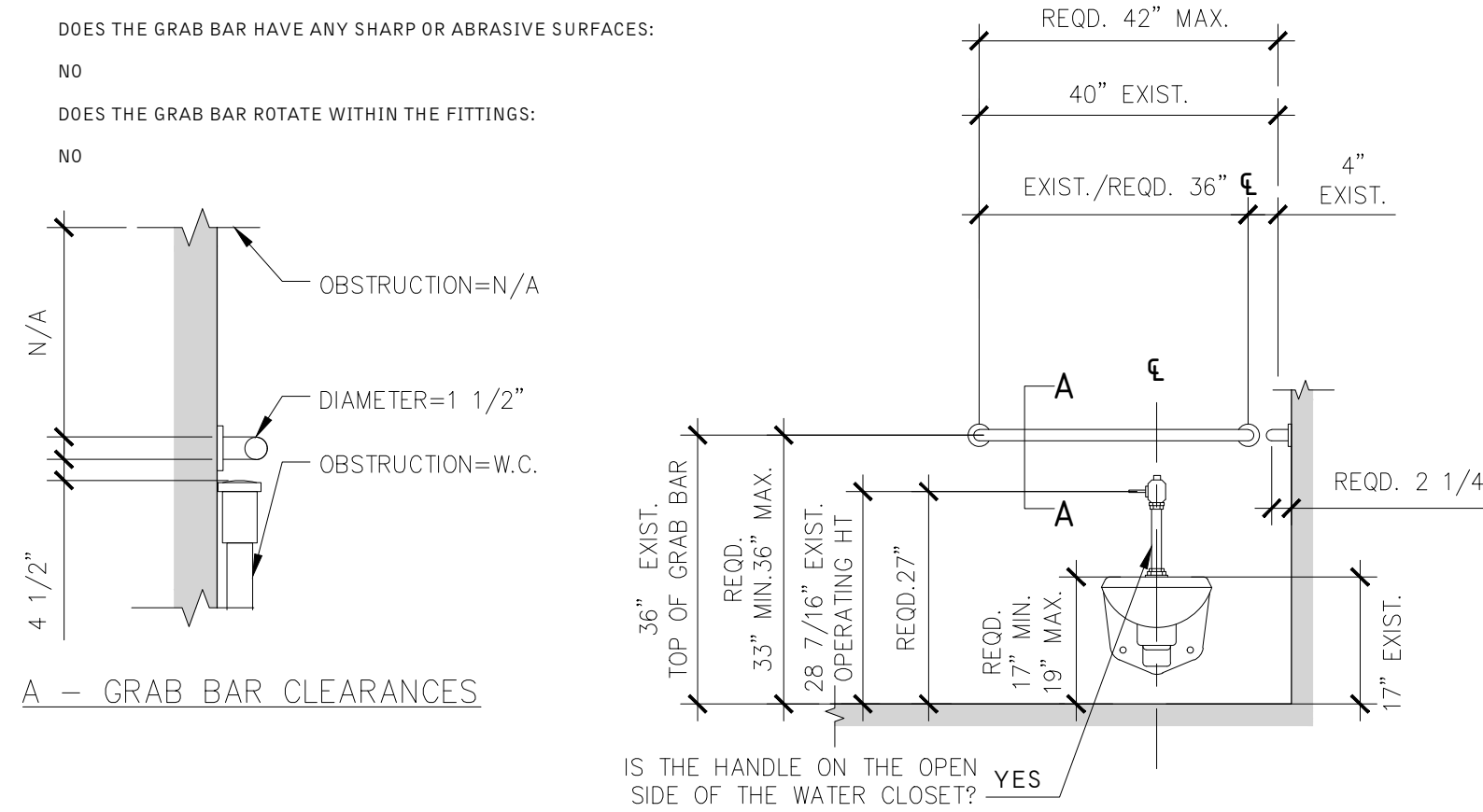
DATE	REMARKS

PA / PM:
DRAWN BY: C.M./K.M.
JOB NO.: IRV24-6073-00

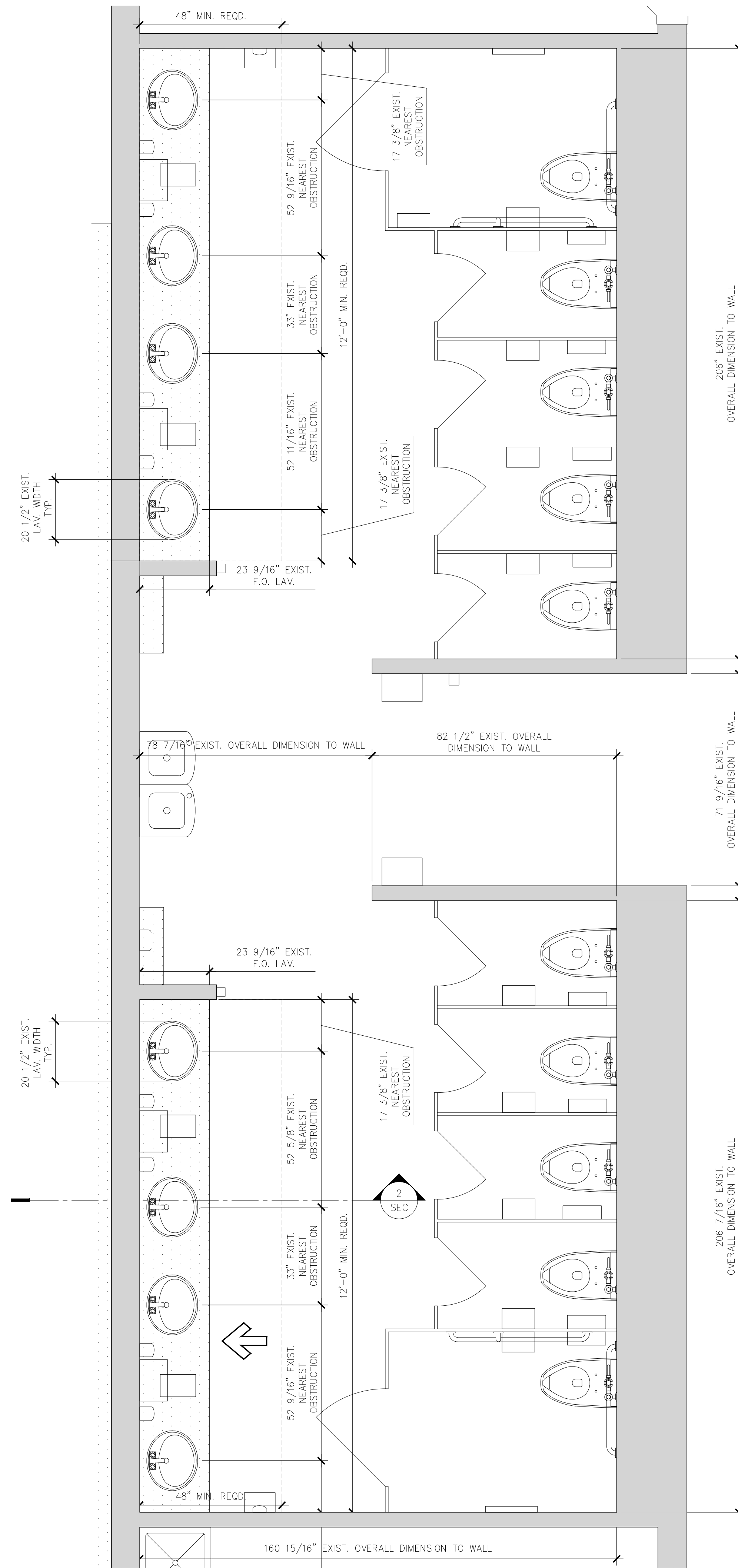
SHEET
B156



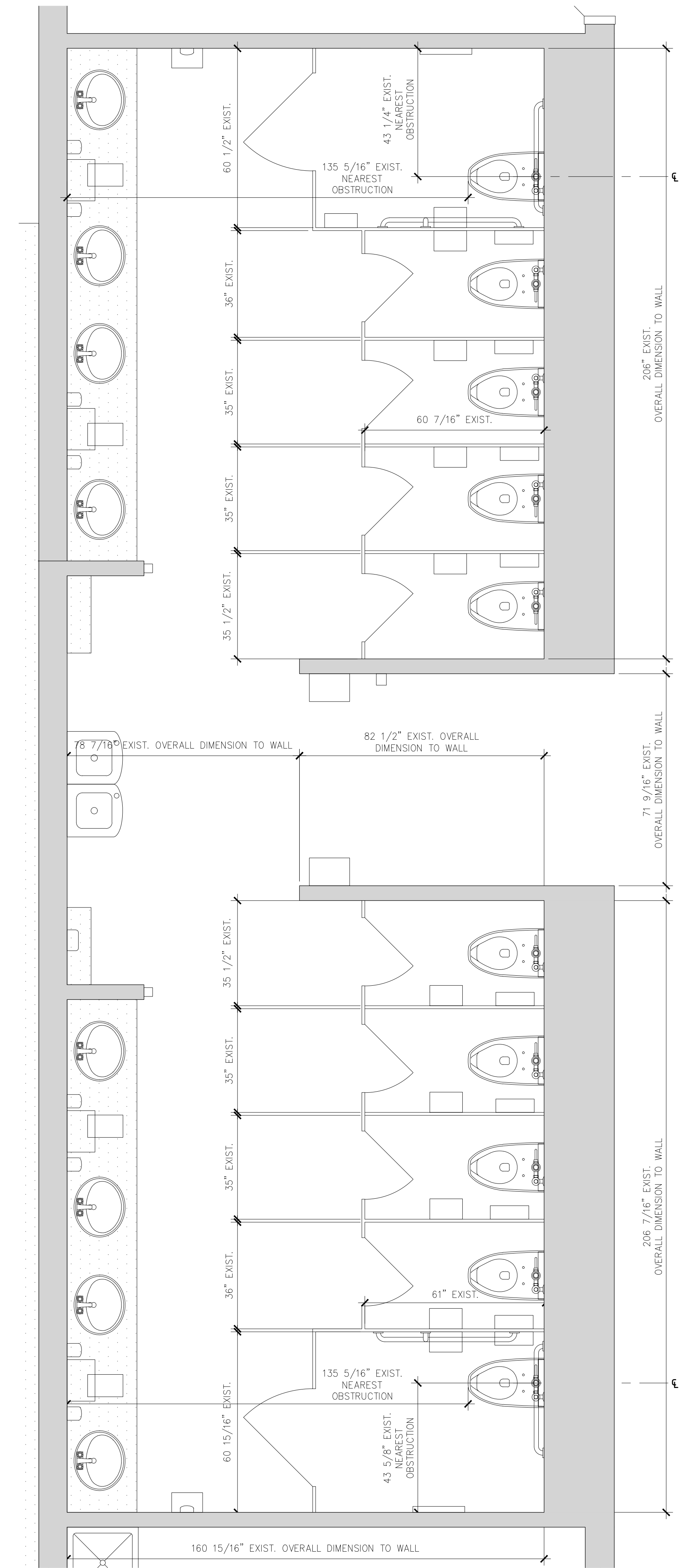
**WOMEN'S RESTROOM SUITE-GH
WATER CLOSET SIDE WALL ELEVATION**
SCALE: 1/2"=1'-0" IACDR-1_JCC-01 5



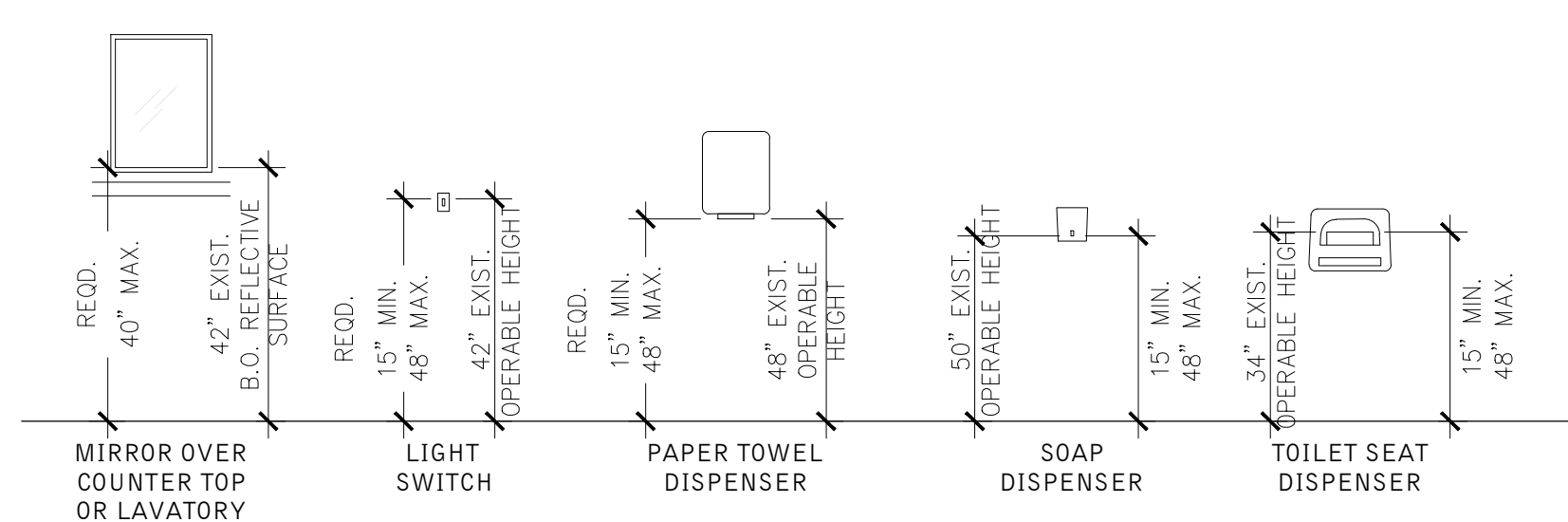
**WOMEN'S RESTROOM SUITE-GH
WATER CLOSET REAR WALL ELEVATION**
SCALE: 1/2"=1'-0" IACDR-1_JCC-01 6



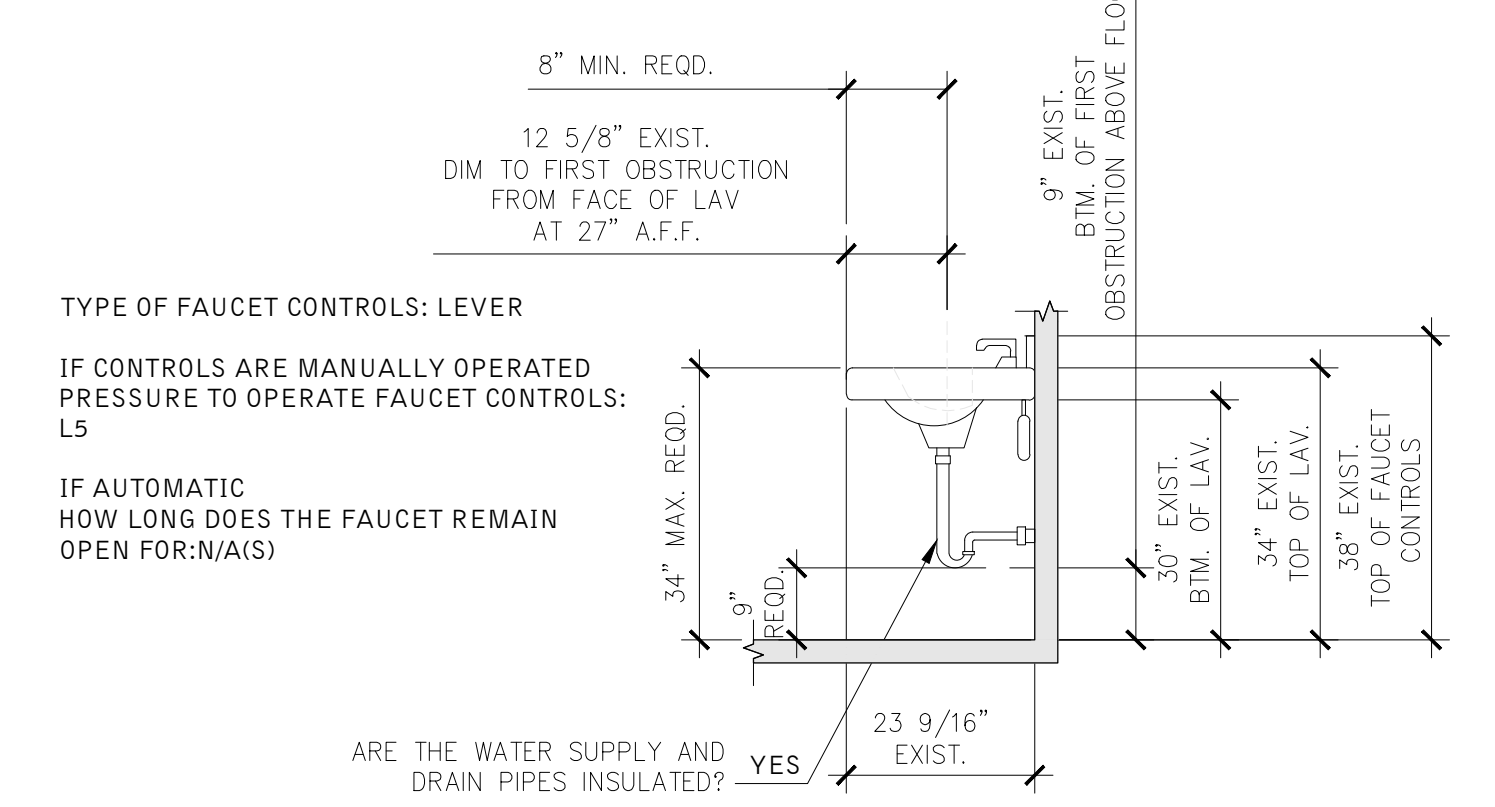
**WOMEN'S RESTROOM SUITE-GH
LAVATORY PLAN VIEW - RIGHT SIDE**
SCALE: 1/2"=1'-0" IACDR-1_JCC-01 3



**WOMEN'S RESTROOM SUITE-GH
WATER CLOSET PLAN VIEW & ACCESSIBLE TOILET COMPARTMENT**
SCALE: 1/2"=1'-0" IACDR-1_JCC-01 1



**WOMEN'S RESTROOM SUITE-GH
RESTROOM ACCESSORY ELEVATIONS**
SCALE: 1/2"=1'-0" IACDR-1_JCC-01 4



**WOMEN'S RESTROOM SUITE-GH
LAVATORY SECTION**
SCALE: 1/2"=1'-0" IACDR-1_JCC-01 2

architecture
planning
interiors
graphics

WARE MALCOLM

los angeles
north bay california
sacramento
san diego
denver
chicago
new jersey

10 oxford
irvine, california 92618
P: 949.665.7128 F: 949.861.1381

DATE	REMARKS

DATE	REMARKS

DATE	REMARKS

PA / PM:	
DRAWN BY:	C.M./K.M.
JOB NO.:	IRV24-6073-00

SHEET

B158

